

SINGER

175-61

Form 19641

(341)

Printed in U. S. A.

LIST
OF
PARTS



From the library of: Diamond Needle Corp

MACHINE No. 175-61

*** A TRADE MARK OF

THE SINGER MANUFACTURING COMPANY

INSTRUCTIONS FOR OILING

To ensure easy running and prevent unnecessary wear of the parts which are in movable contact, the machine requires oiling and when in continuous use, "TYPE B" or "TYPE D" OIL, sold only by Singer Sewing Machine Company, should be applied at least twice each day to all oil holes marked "OIL", as instructed in Form 19155.

"TYPE D" OIL is stainless.

INDEX

	Page
Accessories.....	25
Belt and Pulley Guard.....	26
Bed Work Supports.....	23
Button Clamps.....	16 to 22
Button Holders.....	24
Clamps for Snap Fasteners.....	22 and 23
Feed Plates.....	25
Machine Base.....	26
Machine No. 175-61.....	5
Numerical List of Parts.....	29
Starting Lever and Foot Lifter Parts.....	27
Table Belt Guide.....	27
Thread Unwinder.....	28
Work Supports.....	25

Copyright, U. S. A., 1940 and 1941
by The Singer Manufacturing Co.
All Rights Reserved for all Countries

From the library of: diamondneedle.com

INSTRUCTIONS FOR ORDERING

In ordering from this list, use ONLY the part NUMBER in the FIRST column.

The number stamped on a Sewing Machine Part is in every case the number of the single part only.

Every combination of parts sent out as such has its specific number, which, although not stamped on the parts, must be used when ordering the combination.

Each number always indicates the SAME PART in whatever list it appears, or for whatever machine.

The letters after some of the numbers indicate the style of finish only, as follows:

- A-Hardened, Polished, Nickel Plated and Buffed
- A.A-Buffed and Chromium Plated
- A.B-Hardened, Polished, Buffed and Chromium Plated
- A.C-Brown Baking Enamel Finish
- A.D-Gray Baking Enamel Finish
- A.E-Hardened, Bright Rumbled and Nickel Plated
- A.F-Hardened, Bright Rumbled, Nickel Plated, Bright Rumbled and Chromium Plated
- B-Polished, Nickel Plated and Buffed
- C-Hardened Only
- C.R-Hardened and Merlized
- D-Polished Only
- E-Soft, Not Polished
- F-Hardened and Polished
- F.J-Hardened, Polished and Nickel Plated
- G-Bright Rumbled and Nickel Plated
- H-Blued
- J-Nickel Plated Only
- K-Hardened and Nickel Plated
- L-Brass Plated
- M-Oxidized
- N-Japanned, Dull
- P-Japanned, Bright
- P.P-Wrinkle Finish
- R-Merlized
- S-Cadmium Plated
- T-Copper Plated
- T.A-Hardened, Polished, Copper and Nickel Plated and Buffed
- T.B-Copper and Nickel Plated and Polished
- T.J-Copper and Nickel Plated Only
- T.K-Hardened, Copper and Nickel Plated
- T.L-Copper and Brass Plated
- T.M-Copper Plated and Oxidized
- U-Zinc Plated
- V-Silver Plated
- W-Polished and Nickel Plated
- X-Black Oxide, for Iron and Steel
- X.C-Hardened and Black Oxide, for Iron or Steel
- Y-Black Nickel Plated Only
- Z-Chromium Plated
- Z.A-Hardened, Polished, Nickel Plated, Buffed and Chromium Plated
- Z.B-Polished, Nickel Plated, Buffed and Chromium Plated
- Z.C-Hardened and Chromium Plated
- Z.D-Polished and Chromium Plated
- Z.G-Bright Rumbled, Nickel Plated, Bright Rumbled and Chromium Plated
- Z.J-Nickel and Chromium Plated
- Z.T-Copper and Chromium Plated

These letters MUST BE USED when they appear in the list; and AFTER the number as in the list.

In this series:

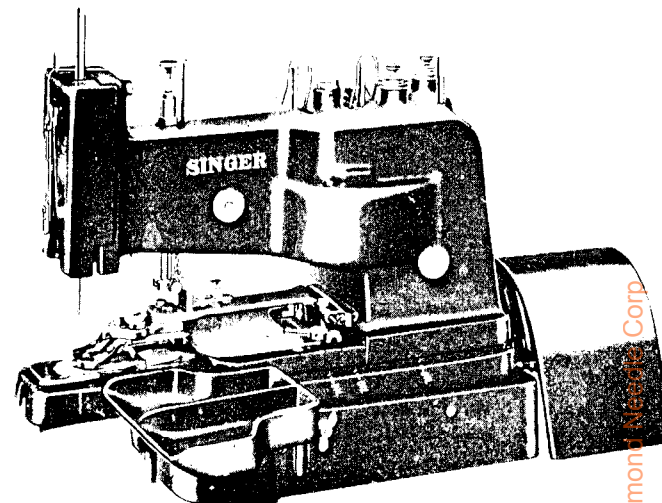
- 1 to 1500, 50001 to 51500 and 140001 to 142000 are Screw Numbers
- 1501 to 1800 and 51501 to 51800 are Nut Numbers
- 1801 to 2000 and 51801 to 52000 are Roller Numbers
- 2001 to 50000 and 52001 to 140000 and 142001 to 190000 are Sewing Machine Parts, 190001 and upward are numbers of Electrical Parts.

The figures in the second column refer only to the plates, illustrating the parts, and are NOT TO BE USED in ordering.

Parts marked with an asterisk (*) are furnished only when repairs are made at factory.

LIST OF PARTS COMPLETE

FOR



MACHINE No. 175-61

For Sewing Two or Four-Hole Flat Buttons, from 20 to 45 ligne, through and through stitch, close to the material. Makes two parallel bars in four-hole buttons across the cylinder with one right angle cross-over stitch, 16 stitches, including cross-over and knotting stitches. In two-hole buttons, makes the Dubbilstay stitch, spreading the stitches in the fabric same as in a four-hole button. Can be adjusted for buttons with holes $\frac{7}{64}$ to $\frac{7}{32}$ inch apart. Needle bar stroke $1\frac{5}{8}$ inch and can be fitted with clamp for snap fasteners. Sizes "O", "OO" and "OOO". Speed 1000 R.P.M.

No.	Plate	Name
*175001	-----	Arm with 15404 and two 15405.....
8539	23314	" Dowel Pin (2).....
175004	23314	" Rock Shaft with 175007.....
175005	23314	" " " Crank (back) with 1177E, 1521J and 140016E.....
1177E	23314	Arm Rock Shaft Crank (back) Clamping Screw.....

Sole Distributor of: Diamond Meters Corp.

No.	Plate	Name
160J	23306	Feed Plate Carrier Regulator Spring Screw (bed end).....
228J	23306	Feed Plate Carrier Regulator Spring Screw (regulator end).....
175692	23317	Feed Plate Holder.....
227J	23317	" " " Screw (2).....
175589	23317	" " " Spring.....
175590	23317	" " " Stud (2).....
175085	22895	Looper.....
175086	22895	" Driving Shaft.....
175087	22895	" " " Bushing.....
175594	-----	" " " " 175087 with 175086, 175091 and 175092.....
51183E	22895	Looper Driving Shaft Bushing Clamping Screw.....
175525	22895	Looper Driving Shaft Crank with 435AL and 1285C.....
175089	22895	Looper Driving Shaft Crank Connecting Link.....
175660	-----	Looper Driving Shaft Crank Connecting Link 175089 with 175525 and 175529..
1285C	22895	Looper Driving Shaft Crank Position Screw.....
435AL	22895	Looper Driving Shaft Crank Set Screw....
175091	22895	" " " " Gear.....
175092	22895	" " " " Pin.....
458C	22895	" Set Screw.....
175093	22895	" Shaft with 458C.....
175529	22895	" " Crank with two 140027C....
140027C	22895	" " " Set Screw (2).....
175096	22895	Machine Rest Stud.....
458C	22895	" " " Set Screw.....
175396	23316	Needle Bar (hollow) with 200125F.....
175098	23316	" " " Connecting Link.....
140028C	23316	" " " " Hinge Screw..
1722J	23316	" " " " " " Nut
175810	23316	" " " " " Stud with 160E.....
175811	-----	Needle Bar Connecting Link Hinge Stud 175810 with 14002J, 175100 and 175101
160E	23316	Needle Bar Connecting Link Hinge Stud Clamping Screw.....
175100	23316	Needle Bar Connecting Link Hinge Stud Thread Guide Plate.....
1492J	23316	Needle Bar Connecting Link Hinge Stud Thread Guide Plate Screw.....
175101	23316	Needle Bar Connecting Link Hinge Stud Thread Guide Roller.....
175102	23316	Needle Bar Connecting Stud (lower).....
1681J	23316	" " " " " Nut..

No.	Plate	Name
51652J	23316	Needle Bar Connecting Stud (lower) Nut Lock Nut.....
175103	23316	Needle Bar Connecting Stud (lower) Wash- er.....
175104	23316	Needle Bar Connecting Stud (upper).....
1681J	23316	" " " " " Nut..
51652J	23316	" " " " " "
		Lock Nut.....
175103	23316	Needle Bar Connecting Stud (upper) Wash- er.....
175105	22895	Needle Bar Eccentric with 140027C.....
175106	23314	" " " Connecting Rod with 1521J, 140024E, 175535 and two 140029E
140029E	23314	Needle Bar Eccentric Connecting Rod Cap Screw (2).....
140024E	23314	Needle Bar Eccentric Connecting Rod Clamping Screw.....
1521J	23314	Needle Bar Eccentric Connecting Rod Clamping Screw Nut.....
140031C	23314	Needle Bar Eccentric Connecting Rod Hinge Screw.....
51653E	23314	Needle Bar Eccentric Connecting Rod Hinge Screw Nut.....
175535	23314	Needle Bar Eccentric Connecting Rod Oil Pad (felt).....
175108	22895	Needle Bar Eccentric Pawl with 175114...
175109	-----	Needle Bar Eccentric Pawl complete, Nos. 175108, 175110 and 175112.....
175110	22895	Needle Bar Eccentric Pawl Bracket with 175111.....
134E	22895	Needle Bar Eccentric Pawl Bracket Screw.
175111	22895	" " " " " Steady Pin.....
175112	22895	Needle Bar Eccentric Pawl Hinge Pin....
175113	22895	" " " " Spring.....
175114	22895	" " " " Stud...
175119	22895	" " " Pin.....
140027C	22895	" " " Set Screw.....
175805	23314	" " Vibrating Cam with 175185....
175119	23314	" " " " Pin.....
175120	23314	" " " Lever.....
175756	23314	" " " " Adjusting Bracket with 458C and 1341AL.....
175759	-----	Needle Bar Vibrating Lever Adjusting Bracket 175756 with 175123 and 175770.....
175757	23314	Needle Bar Vibrating Lever Adjusting Bracket Hinge Stud.....
175770	-----	Needle Bar Vibrating Lever Adjusting Bracket Hinge Stud 175757 with 175758.....

No.	Plate	Name
1341AL	23314	Needle Bar Vibrating Lever Adjusting Bracket Hinge Stud Set Screw.....
175758	23314	Needle Bar Vibrating Lever Adjusting Bracket Hinge Stud Slide.....
51654C	23314	Needle Bar Vibrating Lever Adjusting Bracket Lock Nut.....
175123	23314	Needle Bar Vibrating Lever Adjusting Bracket Lock Nut Screw Stud.....
458C	23314	Needle Bar Vibrating Lever Adjusting Bracket Lock Nut Screw Stud Set Screw.....
175125	23314	Needle Bar Vibrating Lever Adjusting Bracket Lock Nut Washer.....
175126	23314	Needle Bar Vibrating Lever Arm with 51923.....
140033C	23314	Needle Bar Vibrating Lever Arm Hinge Screw.....
51923	23314	Needle Bar Vibrating Lever Arm Roller and Screw Stud.....
140024E	23314	Needle Bar Vibrating Lever Arm Screw.....
175032	23314	" " " " " " Wash-er.....
140034C	23314	Needle Bar Vibrating Lever Hinge Screw..
140035C	23314	" " " " " " Lock Screw.....
175127	23314	Needle Bar Vibrating Lever Hinge Screw Slide.....
175591	22895	Needle Guide with 175547 and two 218D...
175546	-----	" Guide 175591 with 175131 and 175136.....
175130	22895	Needle Guide Cam with two 1259AL.....
1259AL	22895	" " " Set Screw (2).....
175132	22895	" " Oscillating Crank with 140159E and 175134.....
140159E	22895	Needle Guide Oscillating Crank Clamping Screw.....
175016	22895	Needle Guide Oscillating Crank Spring...
175135	22895	" " " " " Hook (bed end).....
175134	22895	Needle Guide Oscillating Crank Spring Hook (crank end).....
175131	22895	Needle Guide Pin.....
*175136	22895	" " Shaft.....
175094	22895	" " " Bushing.....
458C	22895	" " " Set Screw....
175547	22895	" " Thread Finger.....
218D	22895	" " " Screw (2)...
175483	23316	" Plate.....
140019F	23316	" " Screw (2).....
200125F	23316	" Set Screw.....

No.	Plate	Name
175297	23323	Plate for 175842.....
160J	23323	" Screw (2).....
175140	22895	Pulley, 2 3/4 in. diam., with 51655J, 140037C and 175820.....
Note: No. 175140 Pulley is regularly furnished with the Machine.		
175634	-----	Pulley, 3 1/4 in. diam., with 51655J, 140037C and 175820.....
175636	-----	Pulley, 3 3/4 in. diam., with 51655J, 140037C and 175820.....
140037C	22895	Pulley Engaging Screw.....
51655J	22895	" " " Nut.....
175820	22895	" Oil Pad (wick).....
175142	22895	" Shaft.....
175595	-----	" " 175142 with 175069, 175105, 175143, 175144, 175150, 175294 and two 175119.....
175143	22895	Pulley Shaft Gear.....
175144	22895	" " " Pin.....
175145	22895	" Shifter.....
175146	22895	" " Holder with 51649J and 140078AL.....
140078AL	22895	Pulley Shifter Holder Set Screw.....
51649J	22895	" " " " Lock Nut
1178E	22895	" " Screw.....
175148	22895	Starting Crank with 1747J and 140039E...
175630	-----	" " 175148 with 175149 and 175155.....
140039E	22895	Starting Crank Adjusting Screw.....
1747J	22895	" " " Nut.....
175149	22895	" " Pin.....
175150	22895	Stop Dog.....
175151	22895	" " Cushion Spring.....
175152	22895	" " " " Holder with 50581C, 175151 and two 140040AL....
50581C	22895	Stop Dog Cushion Spring Holder Set Screw
140040AL	22895	" " " " Set Screw (2)..
175119	22895	" " Pin.....
175153	22895	" Motion Retaining Collar.....
160J	22895	" " " " Screw.....
175154	22895	" " " " " Stud
882AL	22895	" " " " " Set Screw.....
175155	22895	Stop Motion Shaft.....
175156	22895	" " " Spring.....
175157	22895	" " " " Collar with 140041AL.....
140041AL	22895	Stop Motion Shaft Spring Collar Set Screw.....
175158	22895	Stop Motion Trip.....
175159	22895	" " " Block with 882AL and 175154.....

BUTTON CLAMPS

BUTTON CLAMP No. 175725

FOR SEWING 10 TO 24 LIGNE TWO AND FOUR-HOLE FLAT
 BUTTONS CLOSE TO THE MATERIAL WITH
 A THROUGH AND THROUGH STITCH

No.	Plate	Name
175418	23318	Button Clamp (left) with 175622.....
175419	23318	" " " 175418 with 228J, 140021C and 175420.....
140020C	23318	Button Clamp (left) Hinge Screw.....
1498C	23318	" " " " " Lock Screw.....
140021C	23318	Button Clamp (left) Screw Stud.....
175420	23318	" " " Spring.....
228J	23318	" " " " Screw.....
175622	23318	" " " " Steady Pin..
175516	23318	" " (right) with 175622.....
175517	23318	" " " 175516 with 228J, 140021C and 175519.....
140020C	23318	Button Clamp (right) Hinge Screw.....
1498C	23318	" " " " " Lock Screw.....
140021C	23318	Button Clamp (right) Screw Stud.....
175518	23318	" " " Spring.....
228J	23318	" " " " Screw.....
175622	23318	" " " " Steady Pin..
175031	23318	" " Adjusting Lever.....
680W	23318	" " " " Thumb Screw
175032	23318	" " " " " " " Washer.....
175806	23318	Button Clamp Arm.....
175040	23318	" " Closing Spring.....
175056	23318	" " Spreader and Button Stop...
175755	-----	" " " " " " " 175056 with 175573 and two 1472J....
175057	23318	Button Clamp Spreader and Button Stop Base with two 1498C.....
140024C	23318	Button Clamp Spreader and Button Stop Base Screw (2).....
175032	23318	Button Clamp Spreader and Button Stop Base Screw Washer (2).....
140265W	23318	Button Clamp Spreader and Button Stop Screw.....
51688J	23318	Button Clamp Spreader and Button Stop Screw Lock Nut.....

No.	Plate	Name
175573	23318	Button Clamp Spreader Handle.....
1472J	23318	" " " " Screw (2).
175397	-----	Button Clamp complete, Nos. 51688J, 140265W, 175040, 175057, 175419, 175517, 175755 and two 140020C.....
175725	23318	Button Clamp 175397 with 680W, 175031, 175806, two 140024C and three 175032

BUTTON CLAMP No. 175727

FOR SEWING 40 TO 80 LIGNE TWO AND FOUR-HOLE FLAT
 BUTTONS CLOSE TO THE MATERIAL WITH
 A THROUGH AND THROUGH STITCH

No.	Plate	Name
175719	23319	Button Clamp (left) with 175622.....
175720	23319	" " " 175719 with 228J, 140021C and 175571.....
140020C	23319	Button Clamp (left) Hinge Screw.....
1498C	23319	" " " " " Lock Screw
140021C	23319	" " " Screw Stud.....
175571	23319	" " " Spring.....
228J	23319	" " " " Screw.....
175622	23319	" " " " Steady Pin..
175722	23319	" " (right) with 175622.....
175723	23319	" " " 175722 with 228J, 140021C and 175572.....
140020C	23319	Button Clamp (right) Hinge Screw.....
1498C	23319	" " " " " Lock Screw.....
140021C	23319	Button Clamp (right) Screw Stud.....
175572	23319	" " " Spring.....
228J	23319	" " " " Screw.....
175622	23319	" " " " Steady Pin..
175031	23319	" " Adjusting Lever.....
680W	23319	" " " " Thumb Screw
175032	23319	" " " " " " " Washer.....
175806	23319	Button Clamp Arm.....
175033	23319	" " Closing Spring.....
175747	23319	" " Spreader and Button Stop...
175748	-----	" " " " " " " 175747 with 175573 and two 1472J....
175057	23319	Button Clamp Spreader and Button Stop Base with two 1498C.....

From the library of: **Stamm and Needle Corp**

BUTTON CLAMPS

No.	Plate	Name
140024C	23319	Button Clamp Spreader and Button Stop Base Screw (2).....
175032	23319	Button Clamp Spreader and Button Stop Base Screw Washer (2).....
140265W	23319	Button Clamp Spreader and Button Stop Screw.....
51688J	23319	Button Clamp Spreader and Button Stop Screw Lock Nut.....
175573	23319	Button Clamp Spreader Handle.....
1472J	23319	" " " " Screw (2).
175724	-----	Button Clamp complete, Nos. 51688J, 140265W, 175057, 175303, 175720, 175723, 175748 and two 140020C.....
175727	23319	Button Clamp 175724 with 680W, 175031, 175806, two 140024C and three 175032

BUTTON CLAMP No. 175749

FOR SEWING 80 TO 120 LIGNE TWO AND FOUR-HOLE FLAT

BUTTONS CLOSE TO THE MATERIAL WITH
A THROUGH AND THROUGH STITCH

No.	Plate	Name
175637	23320	Button Clamp (left) with 175622.....
175638	23320	" " " " 175637 with 228J, 140153C and 175639.....
140152C	23320	Button Clamp (left) Hinge Screw.....
51676J	23320	" " " " " Nut....
175653	23320	" " " " " Spacing Collar.....
140153C	23320	Button Clamp (left) Screw Stud.....
175639	23320	" " " " Spring.....
228J	23320	" " " " Screw.....
175622	23320	" " " " Steady Pin...
175640	23320	" " (right) with 175622.....
175641	23320	" " " " 175640 with 228J, 140153C and 175642.....
140152C	23320	Button Clamp (right) Hinge Screw.....
51676J	23320	" " " " " Nut....
175653	23320	" " " " " Spacing Collar.....
140153C	23320	Button Clamp (right) Screw Stud.....
175642	23320	" " " " Spring.....
228J	23320	" " " " Screw.....
175622	23320	" " " " Steady Pin..

BUTTON CLAMPS

No.	Plate	Name
175644	23320	Button Clamp Adjusting Slide.....
140151J	23320	" " " " Guide Screw
51675J	23320	" " " " " " "
		Lock Nut.....
1656J	23320	Button Clamp Adjusting Slide Thumb Nut..
175643	23320	" " Arm.....
175363	23320	" " " Hinge Bracket.....
140072K	23320	" " " Screw (2).....
175032	23320	" " " " Washer (2).....
175647	23320	" " Lifting Chain Bracket with two 190K.....
175648	23320	Button Clamp Lifting Chain Bracket Hold- er.....
190K	23320	Button Clamp Lifting Chain Bracket Set Screw.....
190K	23320	Button Clamp Lifting Chain Screw (lower)
175646	23320	" " Opening Handle.....
223J	23320	" " " " Screw (2)..
175750	23320	" " Presser Bar Seat.....
230J	23320	" " " " " Screw (2)
175649	23320	" " Spreader and Button Stop with two 175622.....
175622	23320	Button Clamp Spreader and Button Stop Slide Pin (2).....
140154W	23320	Button Clamp Spreader and Button Stop Slide Screw (2).....
175650	23320	Button Clamp Spreader and Button Stop Spring.....
175651	23320	Button Clamp Spreader and Button Stop Spring Guide Screw Stud.....
175652	23320	Button Clamp Spreader and Button Stop Spring Guide Screw Stud Holder.....
1521J	23320	Button Clamp Spreader and Button Stop Spring Guide Screw Stud Holder Nut..
175749	23320	Button Clamp complete, Nos. 1521J, 1656J, 51675J, 140151J, 175363, 175638, 175641, 175643, 175644, 175646 to 175652, 175750 and two each 223J, 230J, 51676J, 140072K, 140152C, 140154W, 175032 and 175653.....

BUTTON CLAMP No. 175684

FOR SEWING METAL EYELET SHANK AND LEATHER SHANK
 BUTTONS, ALSO SELF-SHANK BUTTONS SUCH AS
 METAL, BONE, PEARL, CLOTH COVERED AND
 COMPOSITION WITH EITHER A THROUGH
 AND THROUGH STITCH, OR BLIND
 STITCH UP TO 28 LIGNE

No.	Plate	Name
175807	23321	Button Clamp Arm.....
175808	-----	" " " 175807 with 175809 and two each 140072K and 175032.....
175797	23321	Button Clamp Arm Hinge Bracket.....
140024C	23321	" " " Screw (2).....
175032	23321	" " " Washer (2).....
175809	23321	" " Presser Bar Seat.....
140072K	23321	" " " " " Adjusting Screw.....
175032	23321	Button Clamp Presser Bar Seat Adjusting Screw Washer (2).....
140072K	23321	Button Clamp Presser Bar Seat Screw.....
175667	23321	Button Finger, for small size buttons...
175668	23321	" " for large size buttons...
51696W	23321	" " Adjusting Thumb Nut.....
22436	23321	" " " " " Washer
175669	23321	" " Holder.....
140160K	23321	" " " Screw.....
175670	23321	" " Lever.....
50603J	23321	" " " Hinge Screw.....
175672	23321	" " " Post.....
1521J	23321	" " " Nut.....
175673	23321	" " " Screw Bushing.....
175674	23321	" " " " " Screw Stud.....
175675	23321	Button Finger Lever Screw Bushing Spring
191J	23321	" Holder Screw.....
175684	23321	Button Clamp complete (less button hold- er) Nos. 191J, 1521J, 22436, 50603J, 51696W, 140160K, 175667 to 175672, 175673 to 175675, 175797, 175809 and two each 140072K and 175032.....

BUTTON CLAMP No. 175852

FOR SEWING 20 TO 45 LIGNE TWO AND FOUR-HOLE FLAT HEAVY
 BUTTONS CLOSE TO THE MATERIAL WITH
 A THROUGH AND THROUGH STITCH

No.	Plate	Name
175021	23322	Button Clamp (left) with 175622.....
175298	23322	" " " 175021 with 228J, 140021C, 175026 and 175299.....
140020C	23322	Button Clamp (left) Hinge Screw.....
1498C	23322	" " " " " Lock Screw
140021C	23322	" " " Screw Stud.....
175026	23322	" " " Spring.....
175299	23322	" " " " Reinforcing Spring.....
228J	23322	Button Clamp (left) Spring Screw.....
175622	23322	" " " " Steady Pin...
175027	23322	" " (right) with 175622.....
175300	23322	" " " 175027 with 228J, 140021C, 175030 and 175299.....
140020C	23322	Button Clamp (right) Hinge Screw.....
1498C	23322	" " " " " Lock Screw.....
140021C	23322	Button Clamp (right) Screw Stud.....
175030	23322	" " " Spring.....
175299	23322	" " " " Reinforcing Spring.....
228J	23322	Button Clamp (right) Spring Screw.....
175622	23322	" " " " Steady Pin...
175031	23322	" " Adjusting Lever.....
680W	23322	" " " " Thumb Screw
175032	23322	" " " " " " Washer.....
175806	23322	Button Clamp Arm.....
175303	23322	" " Closing Spring.....
175302	23322	" " Spreader and Button Stop...
175736	-----	" " " " " " 175302 with 175026 and two 1472J....
175057	23322	Button Clamp Spreader and Button Stop Base with two 1498C.....
140024C	23322	Button Clamp Spreader and Button Stop Base Screw (2).....
175032	23322	Button Clamp Spreader and Button Stop Base Screw Washer (2).....
140265W	23322	Button Clamp Spreader and Button Stop Screw.....

BUTTON CLAMPS

No.	Plate	Name
51688J	23322	Button Clamp Spreader and Button Stop Screw Lock Nut.....
175058	23322	Button Clamp Spreader Handle.....
1472J	23322	" " " " Screw (2).
175304	-----	Button Clamp complete, Nos. 51688J, 140265W, 175057, 175298, 175300, 175303, 175736 and two 140020C.....
175852	23322	Button Clamp 175304 with 680W, 175031, 175806, two 140024C and three 175032

CLAMPS

CLAMP No. 175842 (Holder Type)

FOR SEWING SNAP FASTENERS

SIZES "O", "OO" AND "OOO"

No.	Plate	Name
175282	23323	Clamp (lower) for size "o" snaps.....
175283	23323	" " " " "OO" snaps.....
175284	23323	" " " " "OOO" snaps.....
175285	23323	" " Position Pin.....
231J	23323	" " Screw.....
175286	23323	" (upper) with 175285.....
140024C	23323	" " Screw (2).....
175032	23323	" " Washer (2).....
175843	23323	" Arm.....
175845	-----	" " 175843 with 202J and 175844...
175844	23323	" Lifting Chain Connection.....
202J	23323	" " " " Screw....
175288	23323	" Opening Pin.....
175289	23323	" " " Collar with 1498C.....
1498C	23323	" " " " Set Screw.....
175290	23323	" " " Connection with 160J..
160J	23323	" " " " Clamping Screw.....
175291	23323	Clamp Opening Pin Connection Holder Screw Stud.....
175846	-----	Clamp complete, for sizes "o", "oo" and "ooo" snaps, Nos. 231J, 175288 to 175294, 175286 and 175288 to 175291.
175842	23323	Clamp 175846 with 175845 and two each 140024C and 175032.....

CLAMP No. 175847 (Button Clamp Type)

FOR SEWING SNAP FASTENERS

SIZES "O", "OO" AND "OOO"

No.	Plate	Name
175833	23324	Clamp (left) with 140021C.....
140020C	23324	" " Hinge Screw.....
1498C	23324	" " " " Lock Screw....
140021C	23324	" " Screw Stud.....
175834	23324	" (right) with 140021C.....
140020C	23324	" " Hinge Screw.....
1498C	23324	" " " " Lock Screw....
140021C	23324	" " Screw Stud.....
175031	23324	" Adjusting Lever.....
680W	23324	" " " Thumb Screw.....
175032	23324	" " " " Washer
175806	23324	" Arm.....
175040	23324	" Closing Spring.....
175835	23324	" Spreader and Snap Fastener Stop...
175836	-----	" " " " " " "
175057	23324	175835 with 175573 and two 1472J.... Clamp Spreader and Snap Fastener Stop Base with two 1498C.....
140024C	23324	Clamp Spreader and Snap Fastener Stop Base Screw (2).....
175032	23324	Clamp Spreader and Snap Fastener Stop Base Screw Washer (2).....
140265W	23324	Clamp Spreader and Snap Fastener Stop Screw.....
51688J	23324	Clamp Spreader and Snap Fastener Stop Screw Lock Nut.....
175573	23324	Clamp Spreader Handle.....
1472J	23324	" " " " Screw (2).....
175837	-----	Clamp complete, Nos. 51688J, 140265W, 175040, 175057, 175833, 175834, 175836 and two 140020C.....
175847	23324	Clamp 175837 with 680W, 175031, 175806, two 140024C and three 175032.....

BED WORK SUPPORTS

No.	Plate	Name
175387	23325	Bed Work Support for 175388.....
175388	23325	" " " 175387 with 175389, for large shank buttons.....

BED WORK SUPPORTS

No.	Plate	Name
175823	23325	Bed Work Support for 175824.....
175824	23325	" " " 175823 with 175389, for small shank buttons.....
175389	23325	Bed Work Support Holder with 140061J....
140061J	23325	" " " " Clamping Screw..
140066J	23325	" " " " Guide Screw.....
51656J	23325	" " " " Lock Nut.....
175390	23325	" " " " " " Screw Stud.....
175032	23325	Bed Work Support Holder Lock Nut Screw Stud Washer.....

BUTTON HOLDERS

NOTE: THE FOLLOWING BUTTON HOLDERS ARE USED WITH,
BUT NOT INCLUDED IN BUTTON CLAMP

COMPLETE NO. 175684

No.	Plate	Name
175393	23321	Button Holder for leather shank (or imitation of same) buttons.....
175392	23321	Button Holder (7/32 in. hole) for self- shank buttons such as metal, bone, pearl, cloth covered and composition
175393	23321	Button Holder (5/16 in. hole) for self- shank buttons such as metal, bone, pearl, cloth covered and composition
175398	23321	Button Holder (3/8 in. hole) for self- shank buttons such as metal, bone, pearl, cloth covered and composition
175399	23321	Button Holder (15/32 in. hole) for self- shank buttons such as metal, bone, pearl, cloth covered and composition
175676	23321	Button Holder for metal eyelet shank buttons.....
175677	23321	Button Holder for metal eyelet shank buttons (short eyelet).....
175678	23321	Button Holder Spring for 175676 and 175677.....
175681	23321	Button Holder for metal eyelet shank buttons (large eyelet).....
175682	23321	Button Holder for metal eyelet shank buttons (small eyelet).....
175684	23321	Button Holder Spring for 175683.....

FEED PLATES

No.	Plate	Name
175686	23319	Feed Plate with two 175590, for sewing 40 to 80 ligne two and four-hole flat buttons close to the material..
175687	23320	Feed Plate with two 175590, for sewing 80 to 120 ligne two and four-hole flat buttons close to the material..
175590	23319	Feed Plate Stud (2).....

WORK SUPPORTS

No.	Plate	Name
175848	23325	Work Support for 175849.....
175850	23325	" " for 175851.....
175849	23325	" " 175848 with 228J, 230J and 175709, for sewing metal eyelet or leather shank buttons, with a through and through stitch.....
175851	23325	Work Support 175850 with 228J, 230J and 175801, for sewing metal eyelet or leather shank buttons with a blind stitch.....
228J	23325	Work Support Adjusting Screw.....
175709	23325	" " Plate with two 175590, for 175849.....
175801	23325	Work Support Plate with two 175590, for 175851.....
175590	23325	Work Support Plate Stud (2).....
230J	23325	" " Screw.....

ACCESSORIES

No.	Plate	Name
175195	22894	Button Tray with three 175194.....
175194	22894	" " Hinge Screw Stud (3).....
1600	22892	" " " " Set Screw for 175823.....
175195	22884	Hand Wheel with two 1448AL, for turning machine by hand.....
1448AL	22894	Hand Wheel Set Screw (2).....

No.	Plate	Name
120342	22884	Oiler (copper plated) with 120343.....
120343	22884	" Spout, 3 1/2 in. long.....
26026	22884	Screw Driver.....
175197	22884	Wrench for 140026.....
175198	22884	" " 140027.....
175625	22884	" " 51671.....

BELT AND PULLEY GUARD

(HINGED)

175537	22885	Belt and Pulley Guard.....
175538	22885	" " " " Fill-in Piece (metal) with two wood screws 3/4 in. No. 10 R.H., for Trough Power Table.
175539	22885	Belt and Pulley Guard Fill-in Piece (wood) with four wood screws 1 1/2 in. No. 12 F.H., for Flat Power Table.....
175540	22885	Belt and Pulley Guard complete, for Individual Motor Table and for 175544, Nos. 42830, 175537, 175543 and two wood screws 1 in. No. 14 F.H.....
175541	22885	Belt and Pulley Guard Hinge Pin.....
175542	22885	" " " " " " Bracket.
175543	-----	" " " " " " " "
		175542 with 175541.....
42830	22885	Belt and Pulley Guard Hinge Pin Cotter Pin.....
175544	22885	Belt and Pulley Guard with Fill-in Pieces complete, Nos. 175538 to 175540.....

MACHINE BASE

No.	Plate	Name
175829	22892	Machine Base with 160C.....
175830	22892	Machine Base complete, Nos. 141C, 933F, 1637J, 140047C, 175425, 175829, 175831, 175832 and four wood screws 7/8 in. No. 14 R.H.....
140047C	22892	Machine Locating Screw Stud.....
175115	22892	" Lock Plate with 175202 and 175206
175202	22892	" " " Position Stud.....
51656J	22892	" " " Thumb Nut.....
175206	22892	" " " Screw Stud.....
175207	22892	" " " Spring.....
175536	22892	" " " Washer.....

No.	Plate	Name
175425	-----	Machine Lock complete, Nos. 51656J, 175115, 175207 and 175536.....
175831	22892	Machine Starting Lever.....
933F	22892	Machine Starting Lever Hinge Screw.....
175832	22892	" " " Spring.....
141C	22892	" " " Stop Screw.....
1637J	22892	" " " " " Nut.....

STARTING LEVER AND FOOT LIFTER PARTS

No.	Plate	Name
175215	22892	Foot Lifter Chain, 37 in. long, with two 56865.....
56865	22892	Foot Lifter Chain Hook (2).....
175216	22892	" " Treadle.....
175217	22892	" " " Hinge Pin.....
175218	22892	" " " Stand.....
175219	22892	Foot Lifter Treadle complete, Nos. 175216 to 175218 and two wood screws 1 in. No. 14 F.H.....
175215	22892	Starting Lever Chain, 37 in. long, with two 56865.....
56865	22892	Starting Lever Chain Hook (2).....
175216	22892	" " Treadle.....
175217	22892	" " " Hinge Pin.....
175218	22892	" " " Stand.....
175219	22892	Starting Lever Treadle complete, Nos. 175216 to 175218 and two wood screws 1 in. No. 14 F.H.....

TABLE BELT GUIDE

No.	Plate	Name
175220	22885	Belt Guide (left) with 140035C.....
175221	22885	" " (right) with 140035C.....
140035C	22885	" " Set Screw (2).....
175222	22885	Pulley (2).....
175223	22885	" Shaft.....
175224	-----	" " 175223 with 1259AL and 175227.....
175225	22885	Pulley Shaft Bracket with 444C.....
1259AL	22885	" " Oil Plug Screw.....

No.	Plate	Name
175227	22885	Pulley Shaft Oil Wick.....
444C	22885	" " Set Screw.....
75228	22885	Table Belt Guide complete, Nos. 175220, 175221, 175224, 175225 and two each 175222 and wood screws 7/8 in. No.14 R.H.....

THREAD UNWINDER

FOR ONE SPOOL

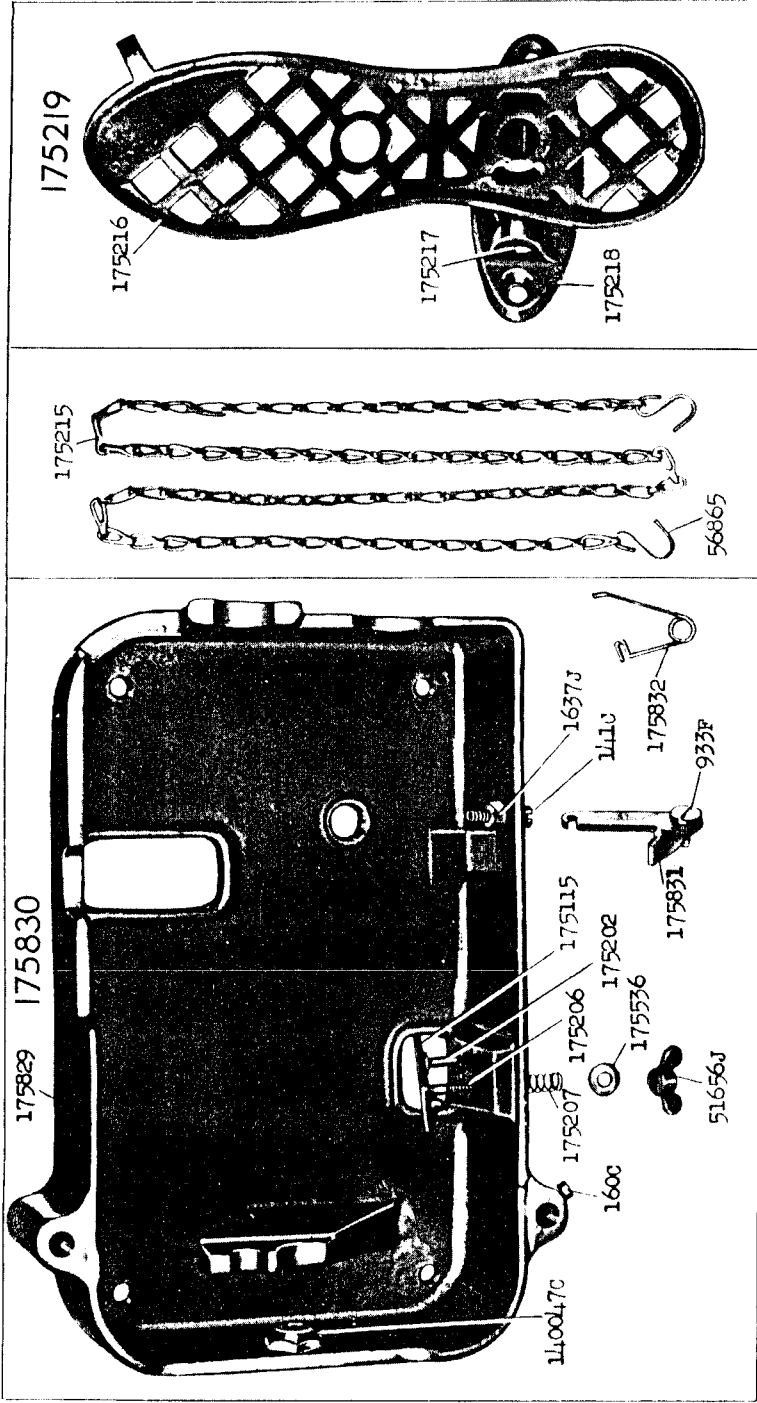
No.	Plate	Name
225259	22893	Spool Rest with 201018C.....
150203	22893	" " Cushion (felt).....
225388	22893	" " Rod.....
200383C	22893	" " Set Screw.....
201018C	22893	" " Set Screw.....
202490	22893	" Stand with 200383C.....
225391	22893	Thread Guide.....
201696J	22893	" " Lock Nut.....
225326	22893	" " Position Cup.....
225324	22893	" " Rod with 208AL and 225322..
208AL	22893	" " Screw.....
225322	22893	" " Washer.....
225260	22893	Thread Unwinder complete, Nos. 150203, 201696J, 202490, 225259, 225324, 225326, 225388, 225391 and three wood screws 7/8 in. No. 12 F.H.....
27739	22893	Thread Cone (wood) for large cones.....
225390	22893	" " Holder, for inverted cones..

Note: Nos. 27739 and 225390 are used with, but not included in 225260.

NUMERICAL LIST OF PARTS

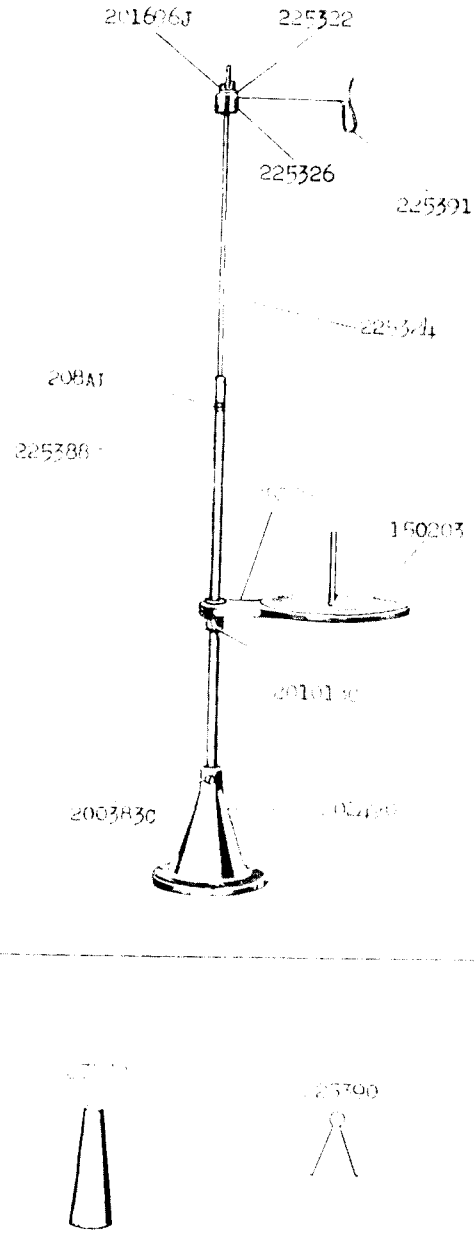
No.	Plate	Name
120J	23316	Face Plate Screw (2).....
127J	23314	Feed Cam Screw (2).....
134E	22895	Needle Bar Eccentric Pawl Bracket Screw.
141C	22892	Machine Starting Lever Stop Screw for 175830.....
160J	23306	Button Clamp Arm Hinge Pin Bracket Screw (2).....
160E	23315	Button Clamp Lifting Rod Arm Clamping Screw for 175048.....
160J	23315	Button Clamp Lifting Rod Arm Stop Plate Screw (2).....
160C	23315	Button Clamp Lifting Rod Spring Stop Collar Set Screw for 175051.....
160C	22892	Button Tray Hinge Stud Set Screw for 175829.....
160J	23323	Clamp Opening Pin Connection Clamping Screw for 175290.....
160J	23306	Feed Plate Carrier Regulator Spring Screw (bed end).....
160E	23316	Needle Bar Connecting Link Hinge Stud Clamping Screw for 175810.....
160J	23323	Plate Screw for 175297 (2).....
160J	22895	Stop Motion Retaining Collar Screw.....
160J	22895	" " Trip Screw (2).....
160J	23315	Thread Nipper Plate Screw.....
160C	23315	" Pull-off (back) Holder Set Screw for 175187.....
160C	23315	Thread Pull-off Stop Collar Set Screw for 175191.....
185J	23316	Face Plate Thread Guide (lower) Plate Screw for 175772.....
190K	23320	Button Clamp Lifting Chain Bracket Set Screw for 175647.....
190K	23320	Button Clamp Lifting Chain Screw (lower) for 175647.....
190K	23315	Button Clamp Lifting Chain Screw (upper) for 175041.....
190J	23315	Button Clamp Lifting Chain Screw (upper) Lock Screw for 175041.....
130J	23306	Feed Plate Carrier Guide Block (left) Screw (2).....
190J	23306	Feed Plate Carrier Guide Block (right) Screw (2).....
191J	23321	Button Holder Screw for 175684.....
202J	23323	Clamp Lifting Chain Connection Screw for 175845.....

22892 - 1/3



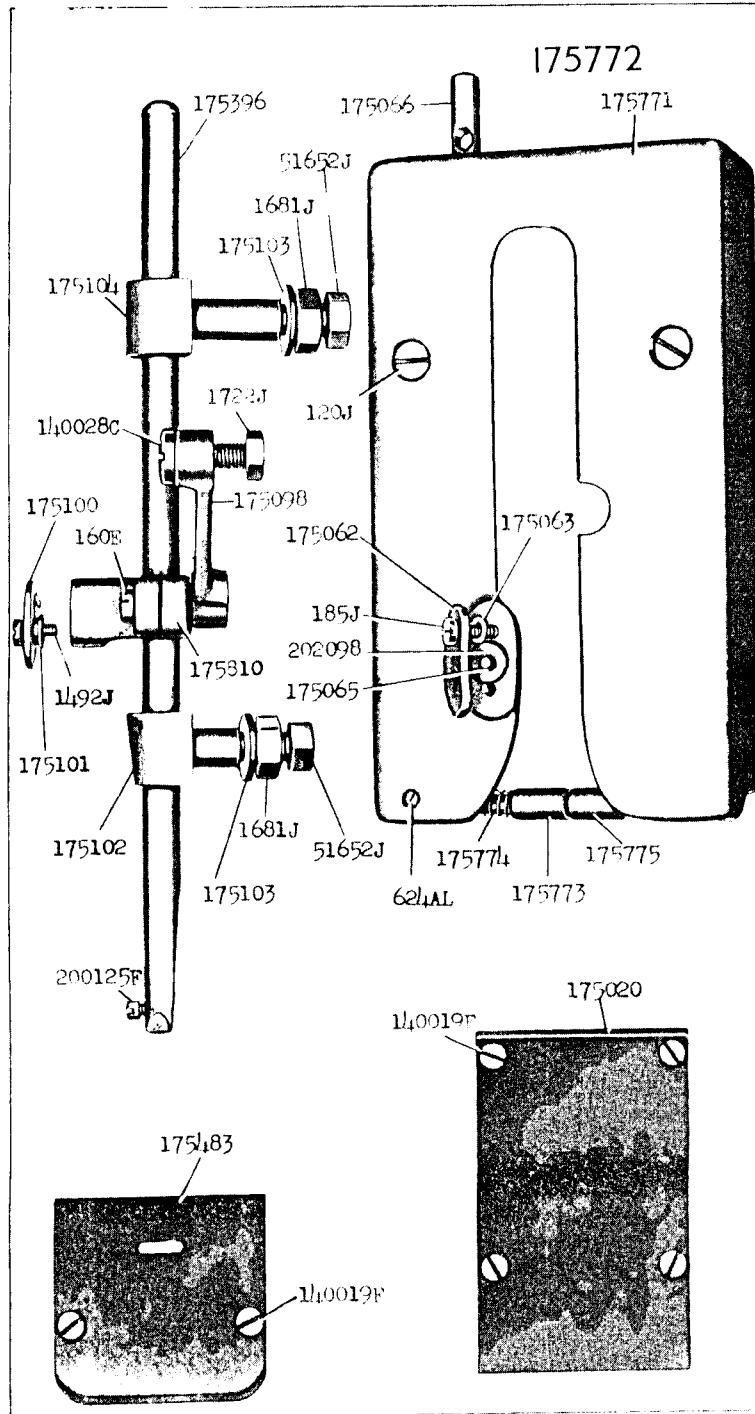
22893 - 1/6

225260

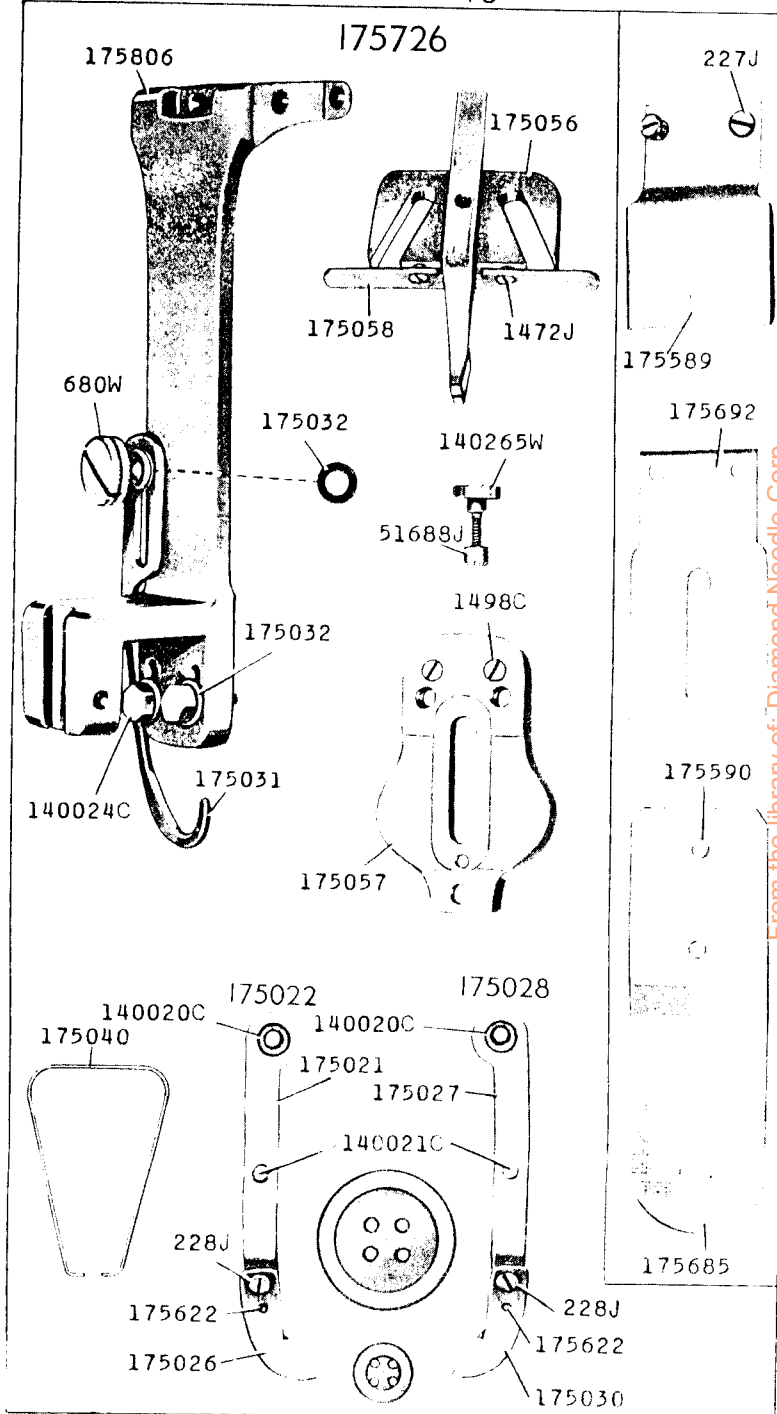


From the library of: Diamond Needle Corp

23316 - 1/2

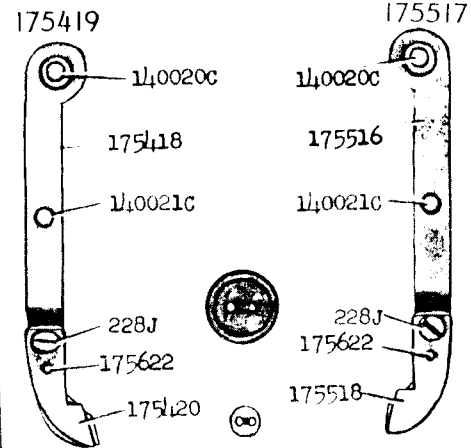
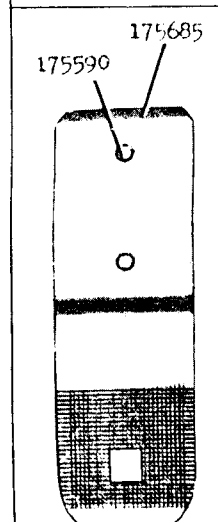
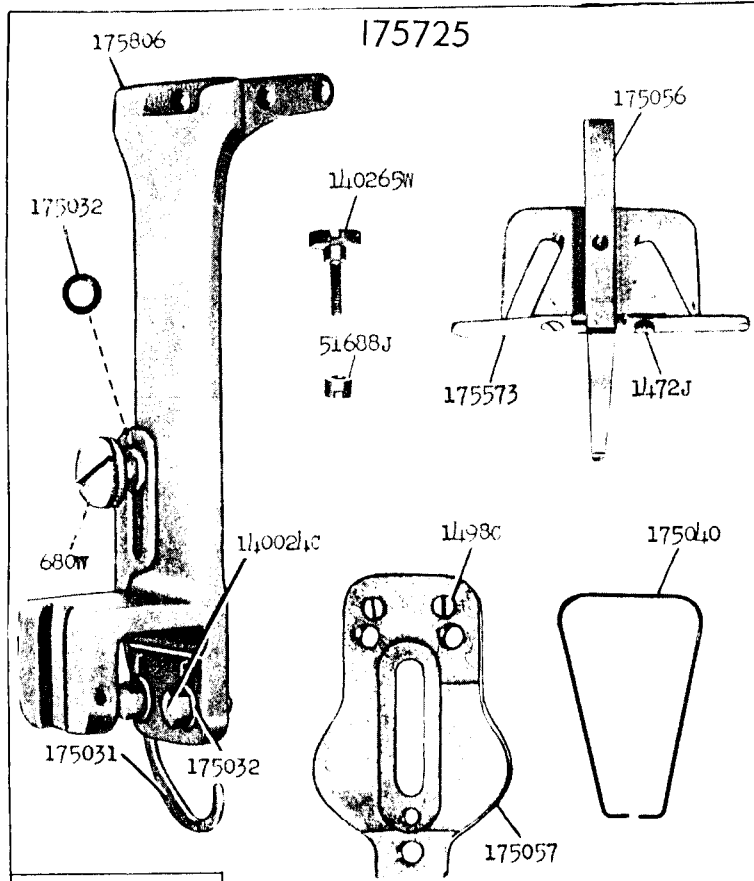


23317 - 2/3

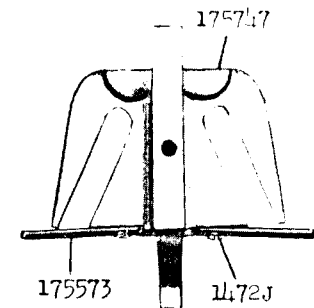
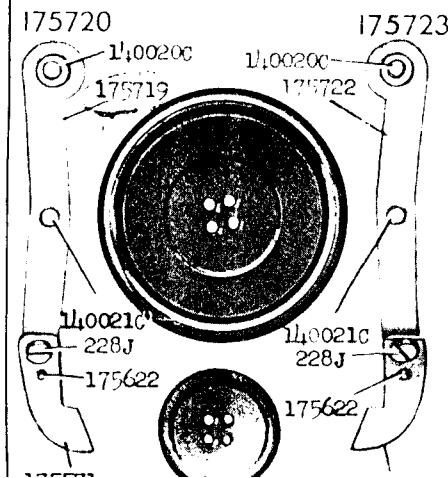
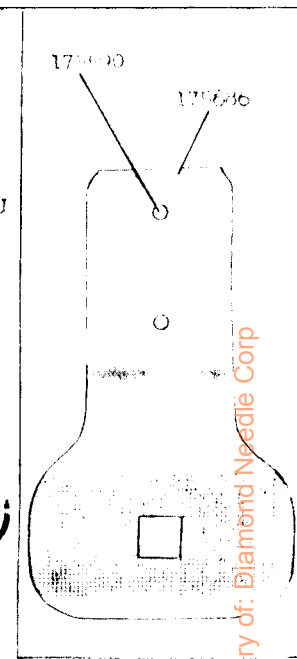
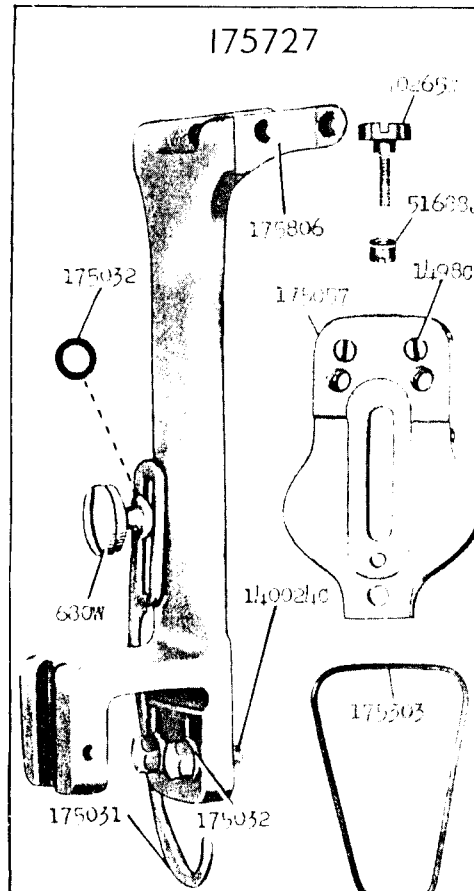


From the library of: Diamond Needle Corp

23318 - 2/3

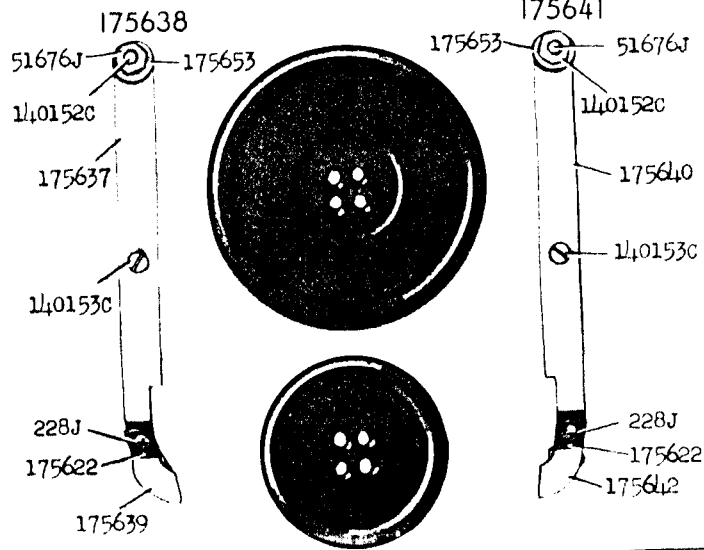
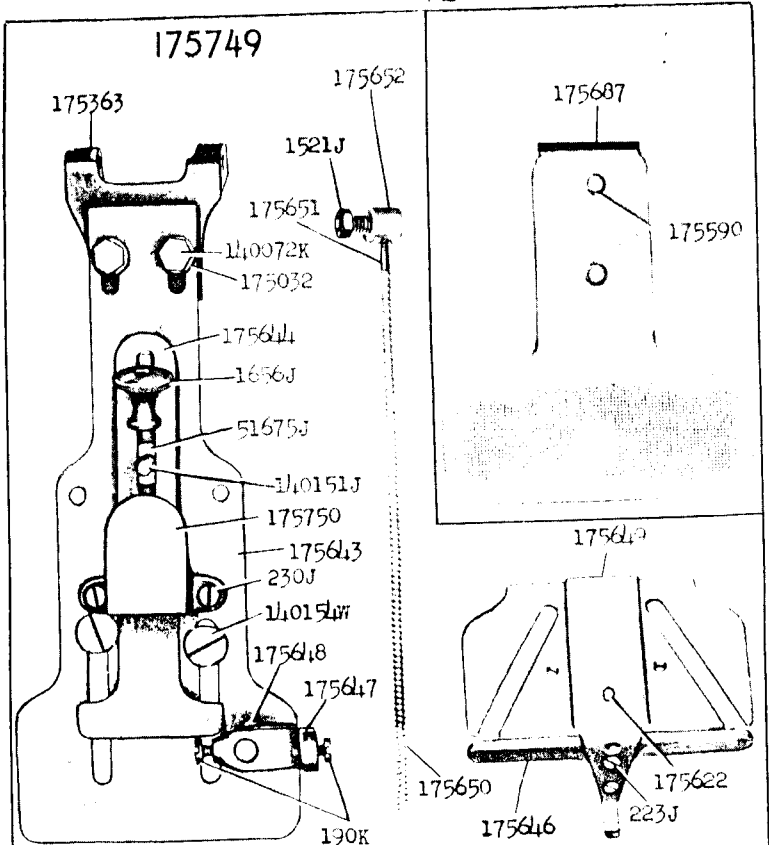


23319 - 2/3

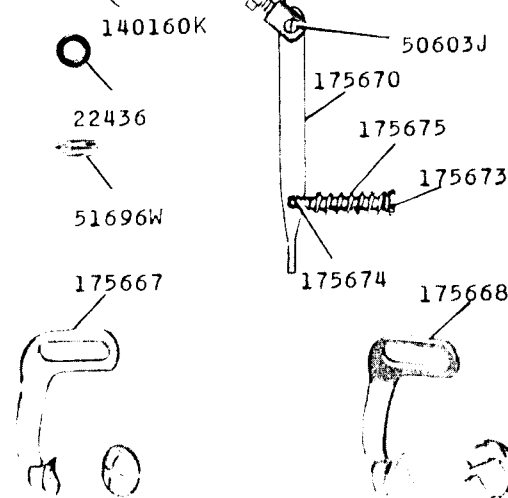
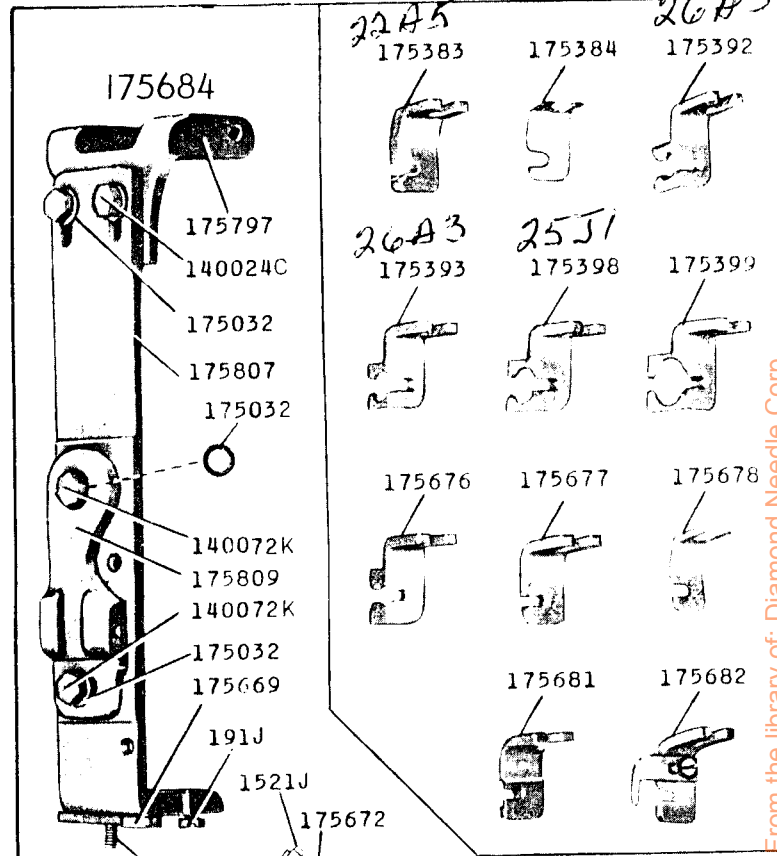


From the library of: Diamond Needle Corp

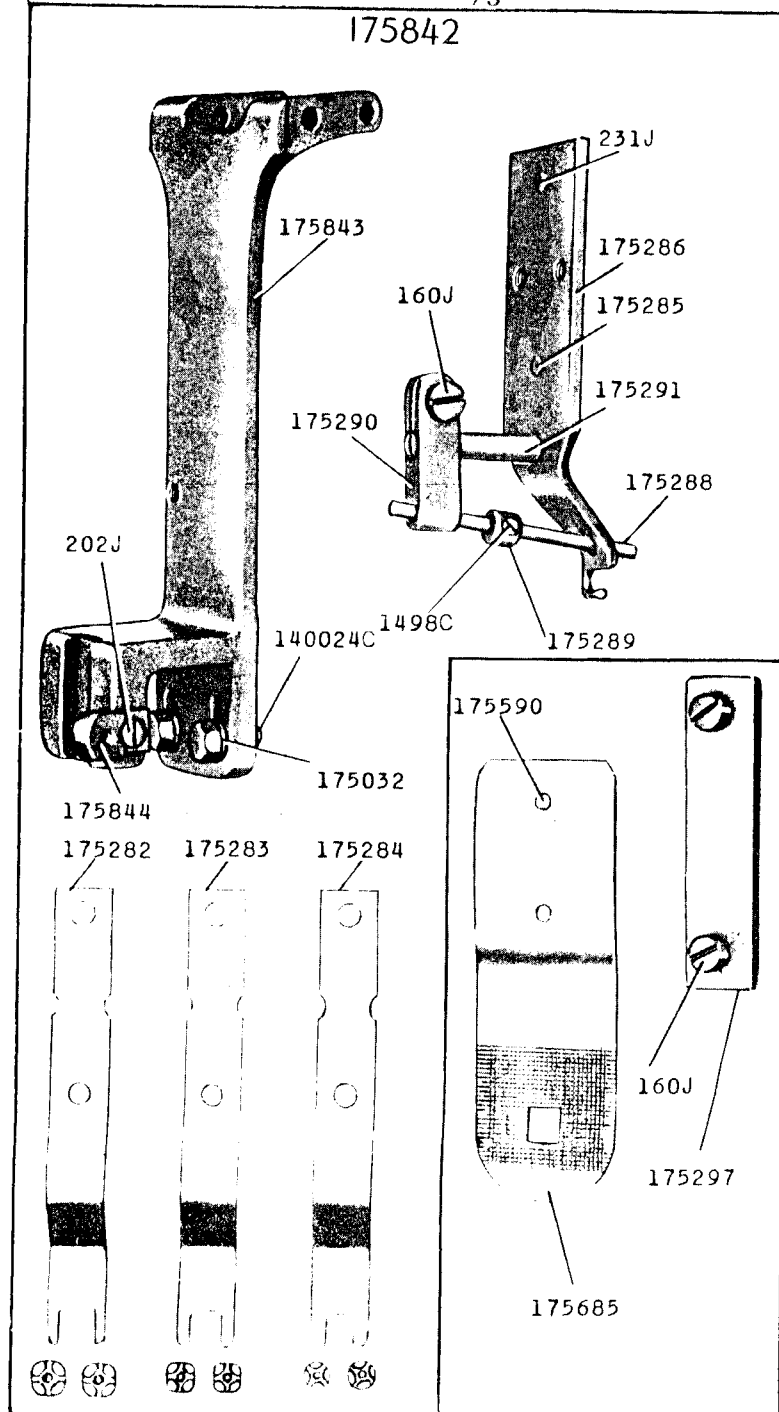
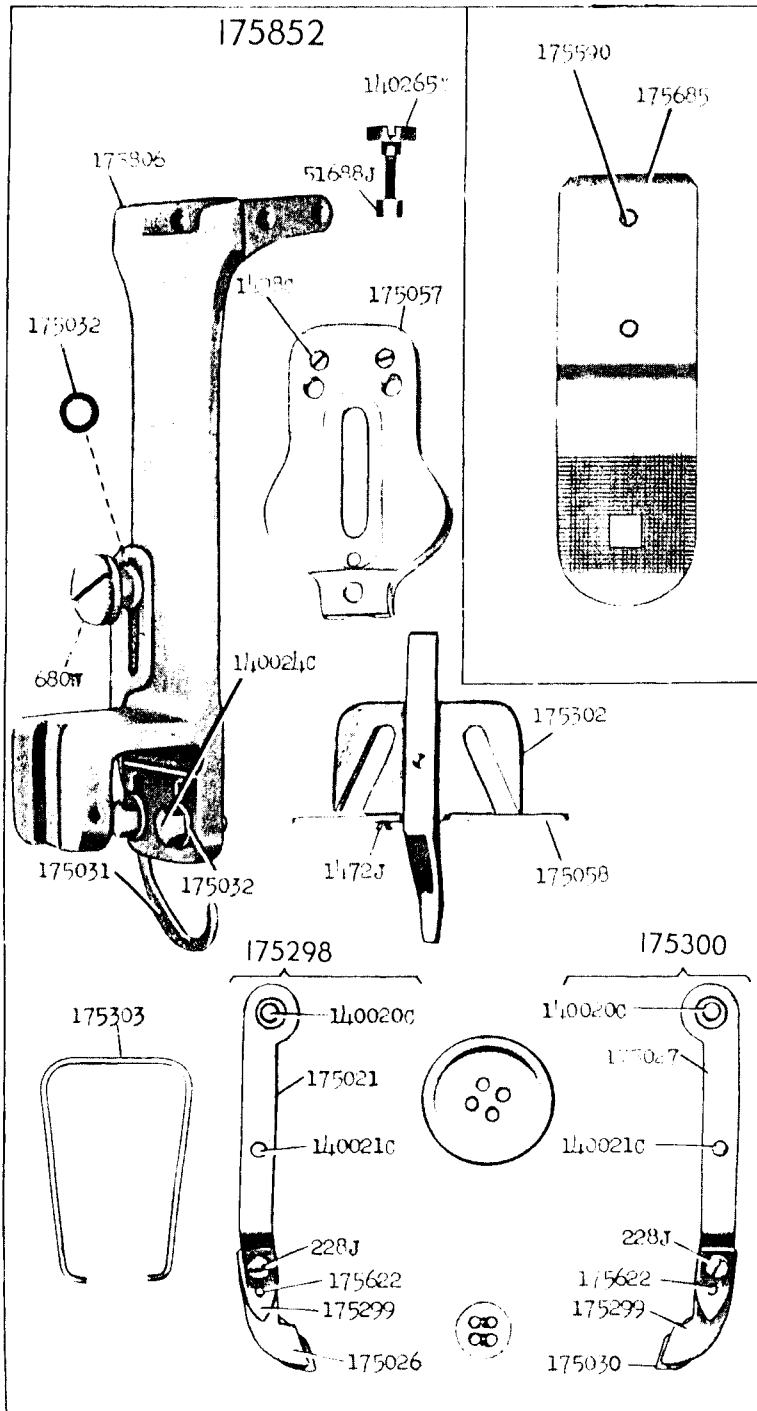
23320 - 1/2



23321 - 1/2

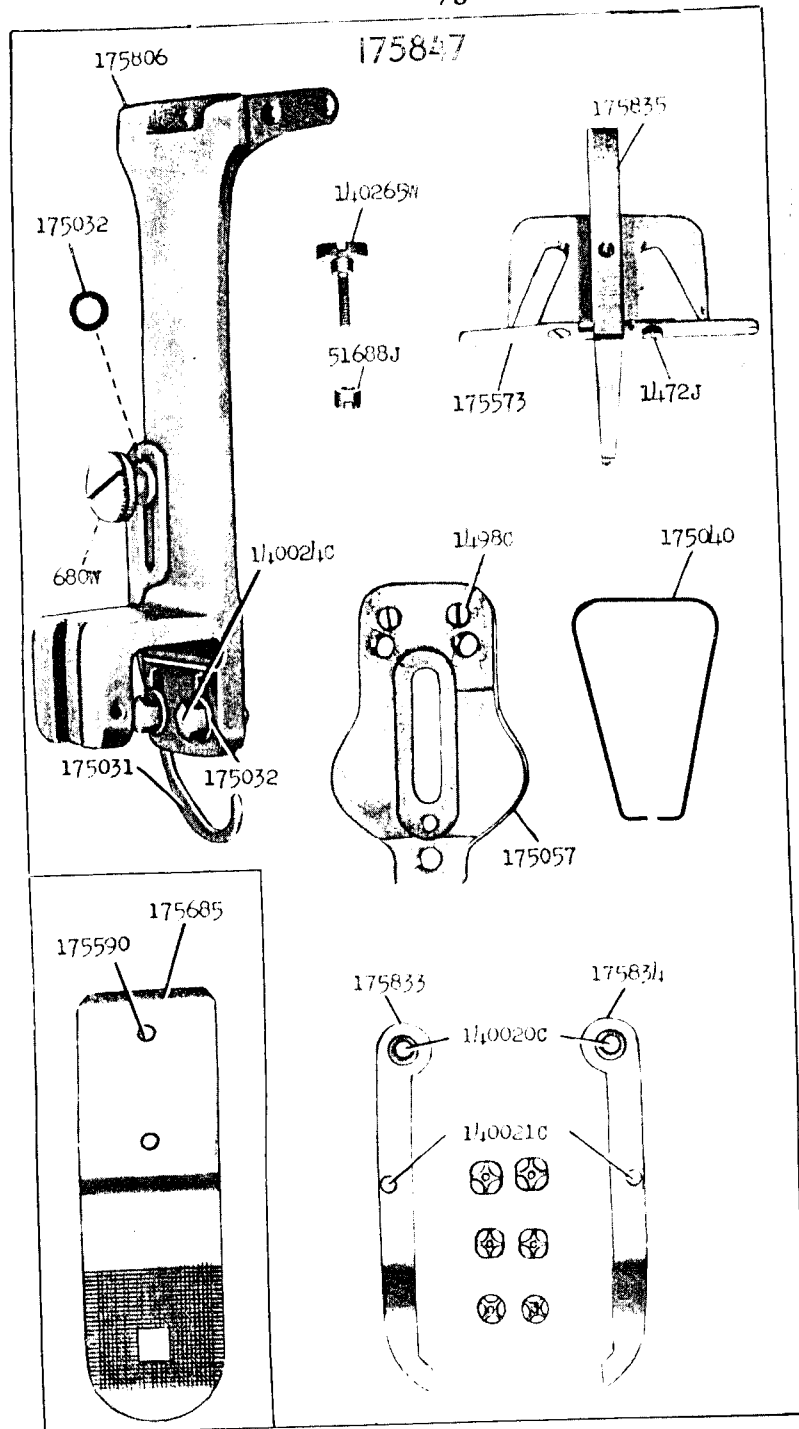


From the library of: Diamond Needle Corp

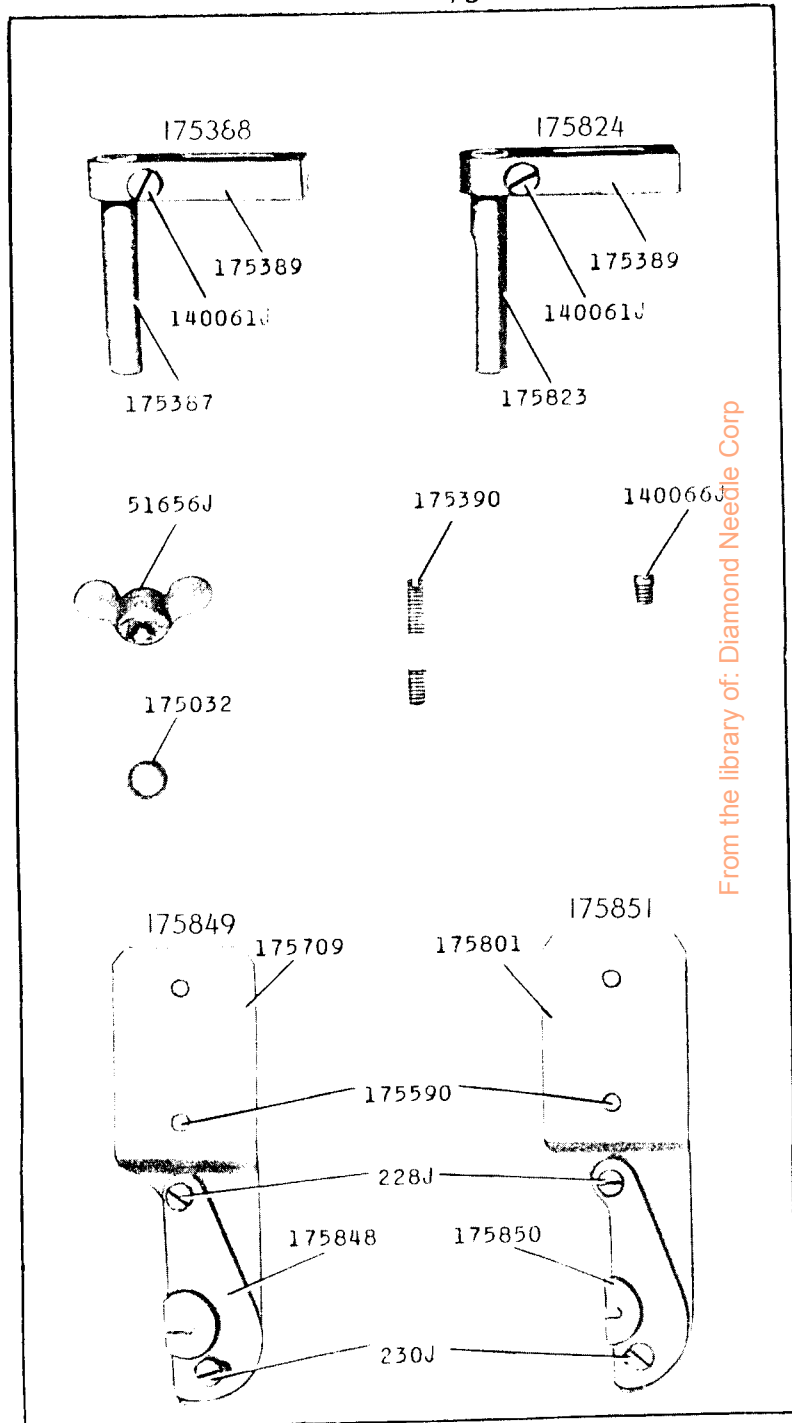


From the library of: Diamond Needle Corp

23324 - 2/3



23325 - 2/3



From the library of: Diamond Needle Corp